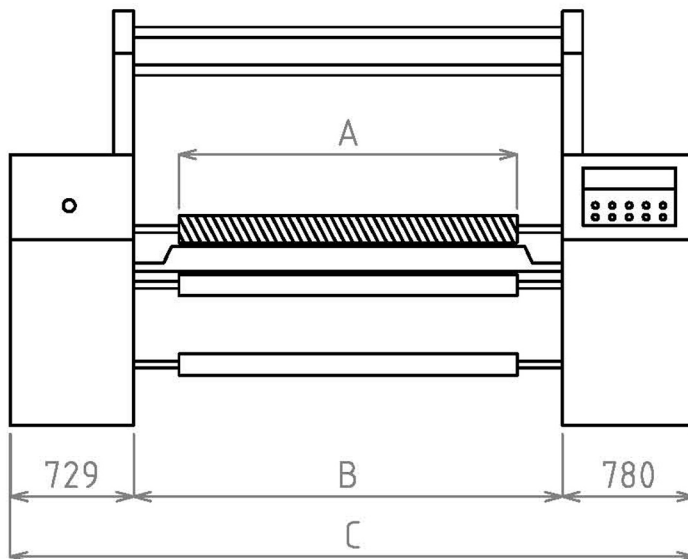
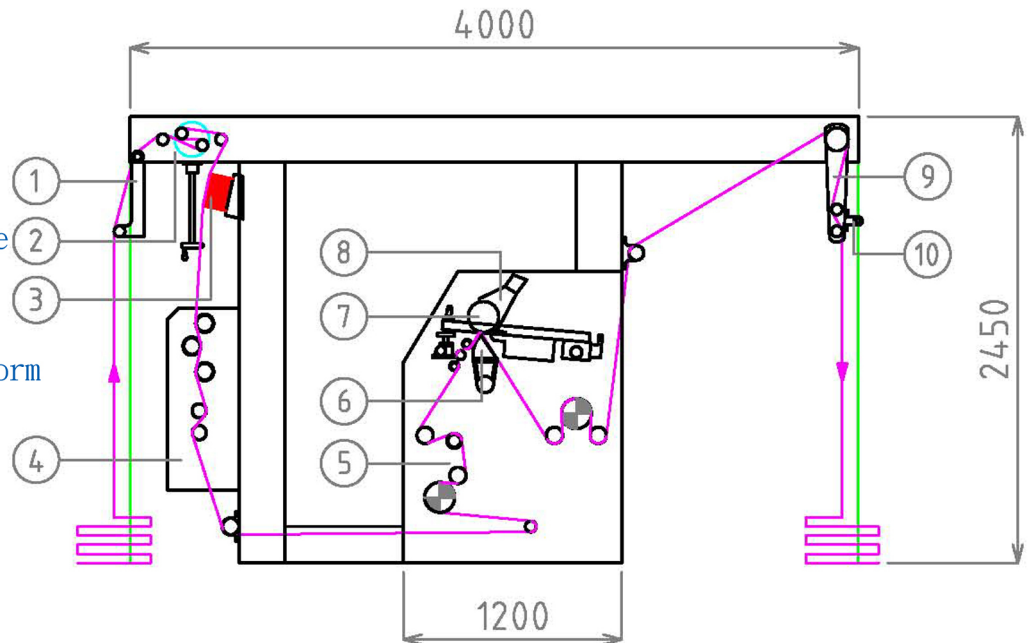


HYDRAULIC-TYPE HIGH SPEED SHEARING MACHINE

MODEL:CL-SM-1800/2000/2100/2200/2500

ROUND BLADES:20/22/24/28

1. Adjustment Device
2. Swivei Device
3. Metal Detector
4. Fabric Centering Machine (suction)
5. Expanding Roller Device
6. Triangle Shearing Platform
7. Shearing Cylinder
8. Suction Device
9. Plaiting Device
10. Static Eliminator



A	1800	2000	2100	2200	2500
B	2334	2534	2634	2734	3034
C	3844	4044	4144	4244	4544

Unit : mm

The manufacturer reserves the right to change or modify the specify the specifications as mentioned in this catalogue without prior notices to any party concerned



鍵輪機械廠有限公司
CHIEN LUN MACHINERY CO., LTD.
東亞齒輪機械廠有限公司
TUNG YA GEAR MACHINE MFG. CO., LTD.

台灣台北縣三重市竹圍街28-7號
NO. 28-7, Chu Wei St., Sanchung, Taipei Hsien, Taiwan
TEL:886-2-2973 1344(Rep.) FAX:886-2-2972 2014
E-mail:tyco8@ms64.hinet.net